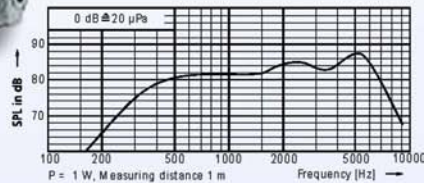
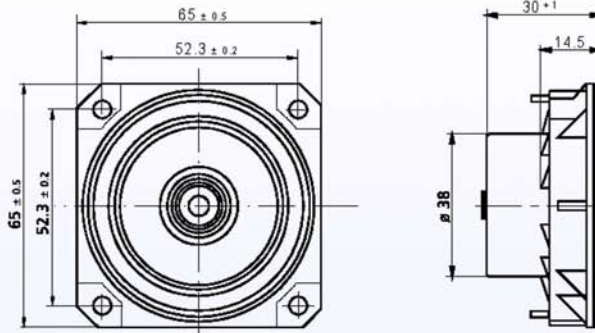


Loudspeaker SB-158

MIL-STD compliant weatherproof loudspeaker. IP-57. Temp range: -40 ... +70C

SB-158



Dynamic Built-in Loudspeaker SB-158 especially usable for weatherproof installations. Front-side waterproof up to 100 cm water depth.

Technical specification

Weight - approx. 120 g
Terminals - solder lugs
Degree of protection (front) - IP 57 acc. to DIN EN 60529
front-side waterproof up to 100 cm water depth, 1 h
Temperature range - operation: -40° C up to +70° C Nb acc. to DIN IEC 68 section 2-14
storage: -40° C up to +80° C Nb acc. to DIN IEC 68 section 2-14
Acceptable relative humidity - £ 93 % Db acc. to DIN IEC 68 section 2-30

Electroacoustic specification

DC resistance - 3.7; 6; 10; 15; 20; 30; 50; 100; 200; 300 or 600 ohm as required
Power handling capability - 1 W (short-term 2 W) acc. to DIN 45573
Nominal sound pressure level - 82 dB rel. 20 µPa at 1 W, distance 1 m, f = 1 kHz

Loudspeaker incorporated in a 1000 cm³ - box with a front panel of 150 mm x 150 mm



All right reserved (C) 1995-2009 Peryphon Ltd
10 Hamelacha St., block 209, New Industrial Park Rosh-Ha'ayin 48091 Israel
TEL: 972-3-9025682 FAX: 972-3-9025684 E-mail: peryphon@zahav.net.il

PERYPHON LTD

[http:// www.peryphon.co.il](http://www.peryphon.co.il)